

EL[®]MARK

The Brand of Electricity

IESSE GARDEN FIXTURE



GENERAL INFORMATION »

- ∴ Rated voltage: 230V/ 50-60Hz
- ∴ Lamp holder: E27
- ∴ Colour: Black
- ∴ Lantern body: Resin with clear glass
- ∴ Lamp not included
- ∴ UV resistant
- ∴ Insulation class II
- ∴ Protection rating: IP55

FEATURES »

- ∴ Half lantern in classic style
- ∴ Made of shockproof resin material
- ∴ UV-rays stabilized, rust and corrosion-free.
- ∴ Suitable wall installation.

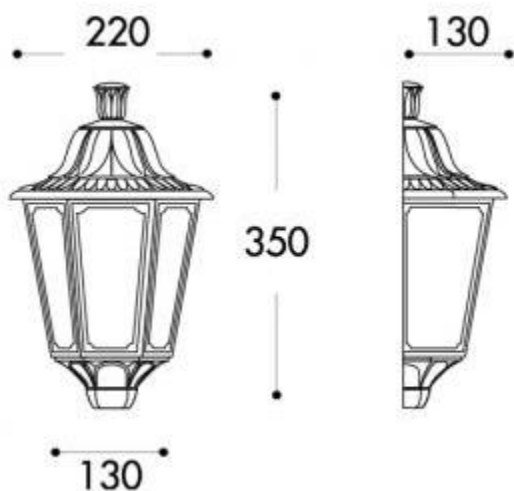
AREAS OF APPLICATION »

- ∴ Suitable for outdoor use
- ∴ Gardens
- ∴ Parks

PRODUCT DETAILS »


Catalogue number	Description	Colour	Lampholder
96IESSEWL/BL	Wall half lantern	Black	1xE27

DIMENSIONS »



ADDITIONAL INFORMATION »

ELMARK lighting 96IESSEWL/BL

 This luminaire is compatible with bulbs of the energy classes:

A++

A+

A


B


C

D

E

}



874/2012 

Catalogue number	Barcode	Packing/Box (pcs)
96IESSEWL/BL	8031874110818	1/16

